

3.OA.B.6 Writing Missing Numbers and Problem Solving

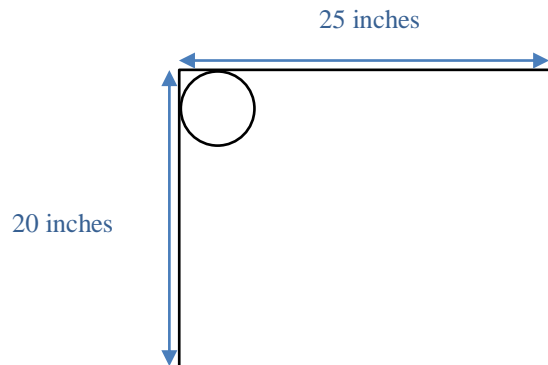
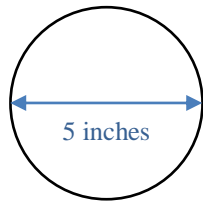
3.OA.B.6: Understand division as an unknown-factor problem.

Fill in the blanks with the missing numbers.

$30 \div \underline{\hspace{2cm}} = 5$	$8 \times 7 = \underline{\hspace{2cm}}$
$4 \times \underline{\hspace{2cm}} = 28$	$42 \div 6 = \underline{\hspace{2cm}}$
$8 \times 2 = \underline{\hspace{2cm}}$	$48 \div \underline{\hspace{2cm}} = 6$
$3 \times \underline{\hspace{2cm}} = 27$	$\underline{\hspace{2cm}} \div 9 = 9$

Read the problem and answer the questions below.

Grandmother is putting her small plant pots into boxes to give to our neighbors. The diameter of each plant pot is 5 inches. Each box measures 20 inches by 25 inches.



How many pots can grandmother arrange along the side of the box that measures 25 inches?

How many pots can grandmother arrange along the side of the box that measures 20 inches?

How many pots will the box hold?

3.OA.B.6 Writing Missing Numbers and Problem Solving

Answer Key

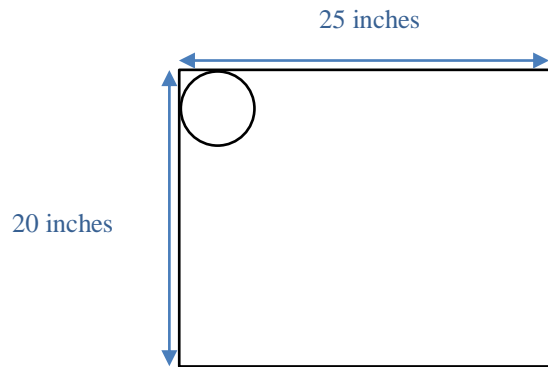
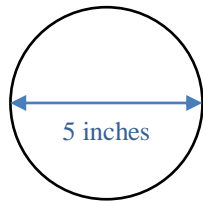
3.OA.B.6: Understand division as an unknown-factor problem.

Fill in the blanks with the missing numbers.

$30 \div \underline{6} = 5$	$8 \times 7 = \underline{56}$
$4 \times \underline{7} = 28$	$42 \div 6 = \underline{7}$
$8 \times 2 = \underline{16}$	$48 \div \underline{8} = 6$
$3 \times \underline{9} = 27$	$\underline{81} \div 9 = 9$

Read the problem and answer the questions below.

Grandmother is putting her small plant pots into boxes to give to our neighbors. The diameter of each plant pot is 5 inches. Each box measures 20 inches by 25 inches.



How many pots can grandmother arrange along the side of the box that measures 25 inches?

5

How many pots can grandmother arrange along the side of the box that measures 20 inches?

4

How many pots will the box hold?

20